

80.00

1000.00

200.00

EP2M12

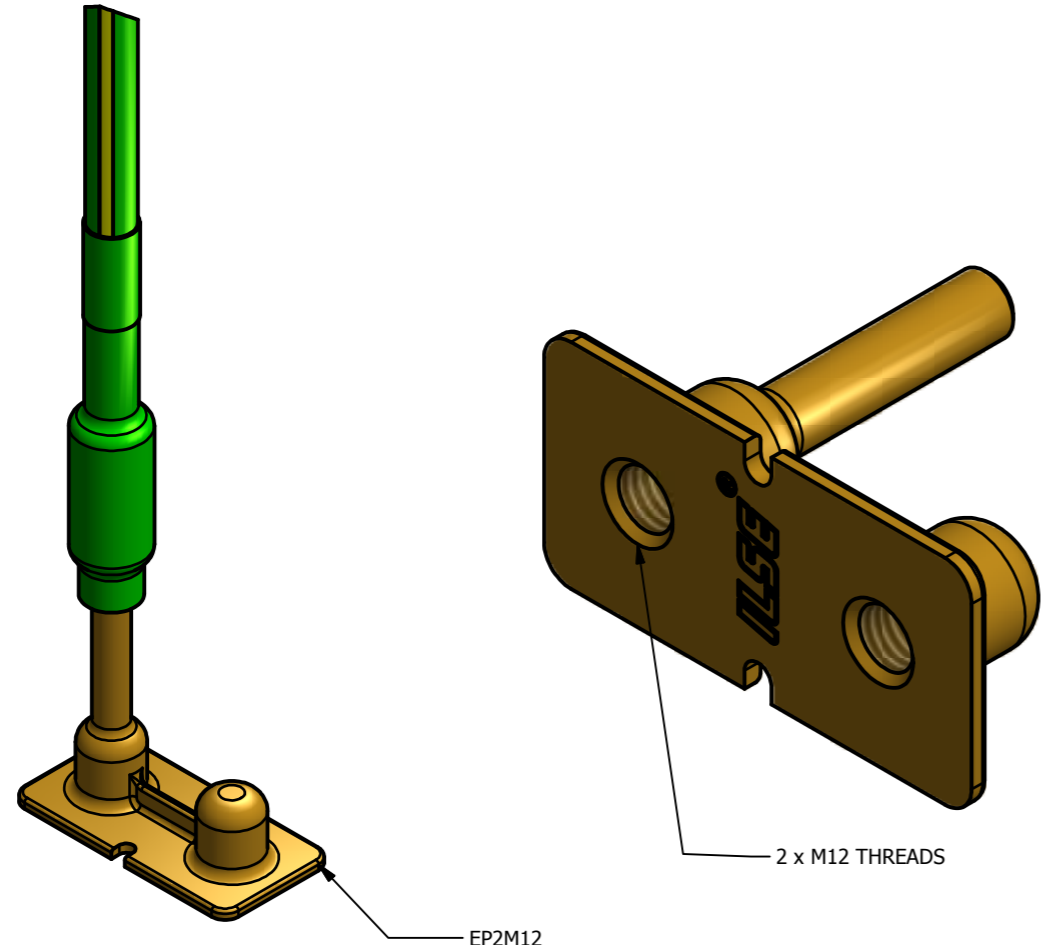
EXOWELDED JOIN COVERED WITH HEATSHRINK SLEEVE

EP2M12-50 uses 50mm² Green/Yellow Copper Cable

EP2M12-95 uses 95mm² Green/Yellow Copper Cable

EXOWELDED JOIN COVERED WITH HEATSHRINK SLEEVE.

16mmØ STEEL BAR



DETAIL A

EP2M12

2 x M12 THREADS

LPINZ LTD - 09 833 5749	
DATE: 23/06/2011	TITLE: REBARCON Assembly Drawing V1
DIMENSIONS IN MILLIMETERS UNLESS OTHERWISE STATED	FILENAME:
MATERIAL:	
FINISH: CLEAN AND DEBURRED	
SCALE: 1:XXX	REVISION : 1
	www.lpi.com.au
	SHEET SIZE A3