

TECHNICAL DATA SHEET

LIGHTNING PROTECTION INTERNATIONAL PTY LTD
Comprehensive Lightning and Surge Protection ABN 11 099 190 897

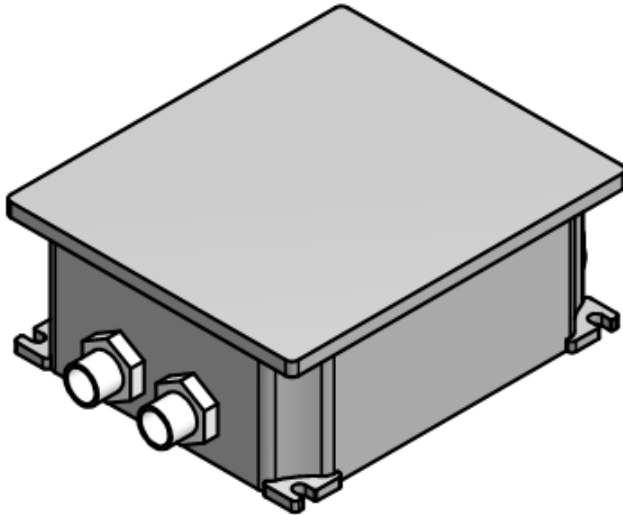
- Direct Strike Protection
- Earthing Products & Solutions
- Surge & Transient Protection for Power, Data, Communications and RF Lines



LPI® Dual Track Diverter - 200kA

Features

- High energy surge diverter for dual track railway.



Product Description

The LPI DTD-200KA is a high energy surge diverter for dual railway track application. The DTD-200KA consists of two surge diverter between Track 1 & Track 2, and Earth. (see figure 1)

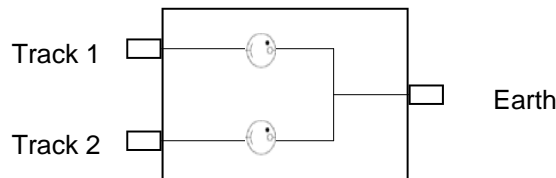


Figure 1: Schematic Diagram of DTD-200KA

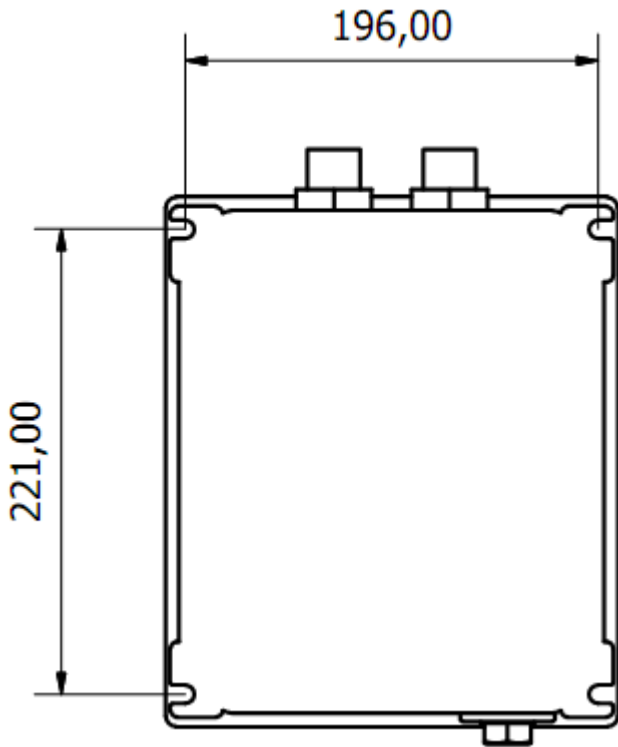
Ordering Code	DTD-200KA
Description:	Dual Track Surge Diverter
Application:	Surge Protection for Railway Track
Surge Rating (Each rail to ground):	100kA 10/350µs, 150kA 8/20µs
Total Surge Rating:	200kA 10/350µs
Dimensions:	Refer to page 2
Enclosure:	Aluminium— IP 66
Max Cable Size (Track 1 & 2)	35mm ²
Max Cable Size (Earth)	M10 Stud. Gland Ø14mm (Suit up to 70mm ² Insulated Cable)

TECHNICAL DATA SHEET

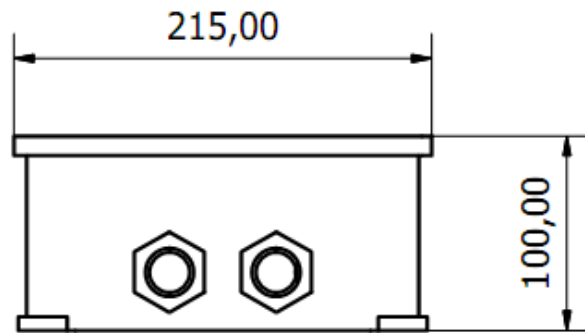
LIGHTNING PROTECTION INTERNATIONAL PTY LTD ABN 11 099 190 897



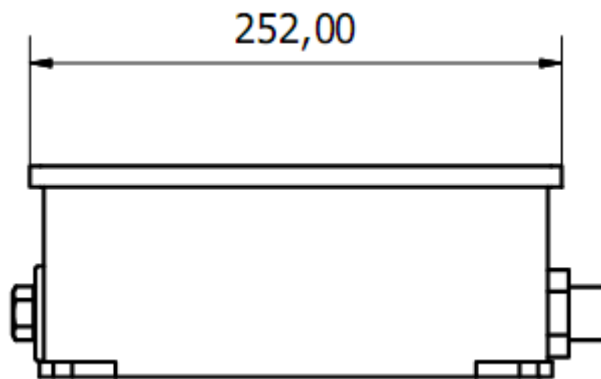
Dimension:



BOTTOM VIEW



END VIEW



SIDE VIEW



LPI LIGHTNING PROTECTION INTERNATIONAL PTY LTD
ABN 11 099 190 897

PO Box 379 Kingston, Tasmania, Australia 7051

49 Patriarch Drive, Huntingfield, Tasmania, Australia 7055

■ Phone: +61 3 6227 1955

■ Fax: +61 3 6229 1900

■ Email: info@lpi.com.au

■ Web: www.lpi.com.au