

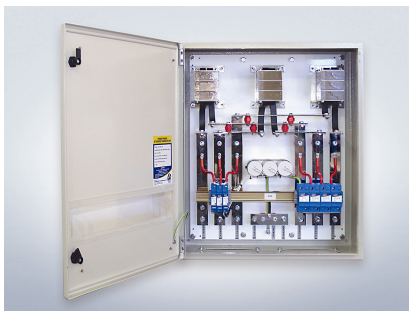


LPI® SG + SS480 Spark Gap Surge Filters

Features

- High performance surge protector for an operating voltage of 220 - 277Vac
- Encapsulated spark gap and SS480 technology capable of operation under fault /overvoltage conditions up to 480Vrms.
- Three stage protection provides highest level of protection for sensitive electronic equipment

Product Description



- Designed to suit TT, TN-C, TN-S & TN-C-S distribution systems
- Ferro cored inductors – dv/dt and di/dt of the incoming surge will be reduced by 1000 times
- Primary (135kA 8/20µs) and secondary (40kA 8/20µs) surge protection (Total of 175kA 8/20µs per phase).
- High N - E protection rating– 100kA 10/350µs, 150kA 8/20µs
- LED Indication, Remote Alarm Contacts, MOV Status Indication and Optional Surge Counter

Electronic equipment is highly susceptible to damage from lightning and other transient pulses (including man made switching transients), which arrive via the powerlines through direct strike, or inductive and capacitive coupling. Efficient filtering and clamping at the point of entry of power feeds to sensitive electronic equipment is essential to mitigate physical equipment damage, loss of operations and economic loss.

The LPI SG+SS480 Series Surge Filter provides multiple stage protection against incoming surges & transients and shall be installed in series with the incoming mains power supply to the equipment or building. Shunt-only clamping alone is not sufficient, as it does not limit the excessive wavefront characteristic of the pre-clamped waveform. The LPI Surge Filter will reduce the rate of rise of voltage (dv/dt) to below 15V/µs as per AS1768 Cat B 3kA (8/20µs) applied impulse and to below 30V/µs for AS 1768 Cat C 20kA (8/20µs) applied impulse.

The SG+SS480 series filter is designed for multistroke lightning events and is supplied with spark gaps as the primary protection between Phase and Neutral rated at 50kA 10/350µs (135kA 8/20µs).

The second stage consists of ferro-cored inductors and capacitors (L-C Filtering) which further attenuates the let-through voltage already clamped by the primary stage. Ferro-cored inductors are used as they are much smaller than non-saturating air-cored inductors. Unlike primary MOV protection, the let through voltage of Spark Gaps remain high for only a few microseconds and hence ferro-cored inductors are a practical alternative.

The filter attenuates noise and any harmonics present on the power system and is designed to attenuate transverse and common mode noise. The third stage consists of SS480 diverters connected across the load side, these are designed to suppress surges generated by load side equipment.

LPI SG+SS480 filter limits the voltage differential due to a lightning induced impulse between phase and neutral as well as from neutral to ground. Thus providing both common mode and differential (transverse) mode protection. Neutral to earth protection rated at 100kA 10/350µs (150kA 8/20µs) is provided to limit feedback currents if the site earth goes high potential with respect to the sub-station or transformer earth. This is a common occurrence due to a near-by direct strike.

Description	LPI® SG+SS480 Spark Gap Surge Filters
Nominal Operating Voltage Un:	220 – 277Vac Ph - N @ 50/60Hz
Max Continuous Operating Voltage Uc:	480Vrms
Operating time:	< 1ns
Power distribution systems:	TT, TN-S, TN-C, TN-C-S (MEN)
Primary surge protection rating per phase:	135kA 8/20µs single shot surge capacity between Phase and Neutral
Secondary surge protection rating per phase:	40kA 8/20µs single shot surge capacity between Phase and Neutral
Total surge protection per phase:	175kA 8/20µs
N – E protection:	100kA 10/350µs, 150kA 8/20µs
Protection Modes:	Transverse and common mode
Inductor:	Ferro cored, low pass, power and noise filtering
Capacitor type:	Self healing polypropylene
Surge counter (Optional**):	7 Digit electro mechanical display
Current crest factor:	> 3:1
Voltage drop:	< 2V at full load
Efficiency:	99%
Frequency response:	3dB point below 3000Hz
Performance:	Typical let-through voltage for all models < 2 x mains peak voltage
Standards (Primary and secondary):	IEC 61643-1
Standards (N - E):	IEC 61643-1
Surge withstand:	ANSI/IEEE C62.41 and AS 1768 Cat. A, B and C surge tests
Protection status indication:	LED Indication, MOV Status Indications and Remote Alarm Contacts
Environmental rating:	IP 55
Enclosure:	Metal enclosure with durable polyester powder coat finish
Colour:	Oyster grey
Mounting:	Wall mount
Operating temperatures:	-35 to +50°C, 0 – 95% humidity
Warranty:	5 Years manufacturer's warranty

TECHNICAL DATA SHEET

LIGHTNING PROTECTION INTERNATIONAL PTY LTD ABN 11 099 190 897



Ordering Code	Description	Phase	Rated Voltage Ph - N (50/60 Hz)	Dimensions (mm)	Weight (Kg)
SF1125A-NE-SS480	Surge Filter, 1Ph, 125A, 480V Uc, with Class I protection applied P-N, 50kA 10/350µs, 135kA 8/20µs line side protection, 40kA 8/20µs load side protection per phase. 100kA 10/350µs N-E, Status Indication, LED, Alarm Contacts	1	220 – 277V	300W x 400Hx150D	12
SF1200A-NE-SS480	Surge Filter, 1Ph, 200A, 480V Uc, with Class I protection applied P-N, 50kA 10/350µs, 135kA 8/20µs line side protection, 40kA 8/20µs load side protection per phase. 100kA 10/350µs N-E, Status Indication, LED, Alarm Contacts	1	220 – 277V	300W x 400Hx200D	18
SF3125A-NE-SS480	Surge Filter, 3Ph, 125A, 480V Uc, with Class I protection applied P-N, 50kA 10/350µs, 135kA 8/20µs line side protection, 40kA 8/20µs load side protection per phase. 100kA 10/350µs N-E, Status Indication, LED, Alarm Contacts	3	220 – 277V	500W x 600Hx200D	32
SF3200A-NE-SS480	Surge Filter, 3Ph, 200A, 480V Uc, with Class I protection applied P-N, 50kA 10/350µs, 135kA 8/20µs line side protection, 40kA 8/20µs load side protection per phase. 100kA 10/350µs N-E, Status Indication, LED, Alarm Contacts	3	220 – 277V	600W x 700Hx200D	50
SF3315A-NE-SS480	Surge Filter, 3Ph, 315A, 480V Uc, with Class I protection applied P-N, 50kA 10/350µs, 135kA 8/20µs line side protection, 40kA 8/20µs load side protection per phase. 100kA 10/350µs N-E, Status Indication, LED, Alarm Contacts	3	220 – 277V	600W x 700Hx200D	70
SF3400A-NE-SS480	Surge Filter, 3Ph, 400A, 480V Uc, with Class I protection applied P-N, 50kA 10/350µs, 135kA 8/20µs line side protection, 40kA 8/20µs load side protection per phase. 100kA 10/350µs N-E, Status Indication, LED, Alarm Contacts	3	220 – 277V	600W x 700Hx200D	70
SF3630A-NE-SS480	Surge Filter, 3Ph, 630A, 480V Uc, with Class I protection applied P-N, 50kA 10/350µs, 135kA 8/20µs line side protection, 40kA 8/20µs load side protection per phase. 100kA 10/350µs N-E, Status Indication, LED, Alarm Contacts	3	220 – 277V	600W x 800Hx250D	110
SF3800A-NE-SS480	Surge Filter, 3Ph, 800A, 480V Uc, with Class I protection applied P-N, 110kA 10/350µs line side protection, 40kA 8/20µs load side protection per phase. 110kA 10/350µs N-E, Status Indication, LED, Alarm Contacts	3	220 – 277V	1300W x 800Hx300D	153
SF31000A-NE-SS480	Surge Filter, 3Ph, 1000A, 480V Uc, with Class I protection applied P-N, 110kA 10/350µs line side protection, 40kA 8/20µs load side protection per phase. 110kA 10/350µs N-E, Status Indication, LED, Alarm Contacts	3	220 – 277V	1200W x 850Hx200D	190
SF31250A-NE-SS480	Surge Filter, 3Ph, 1250A, 480V Uc, with Class I protection applied P-N, 110kA 10/350µs line side protection, 40kA 8/20µs load side protection per phase. 110kA 10/350µs N-E, Status Indication, LED, Alarm Contacts	3	220 – 277V	1200W x 850Hx200D	195
SF31500A-NE-SS480	Surge Filter, 3Ph, 1500A, 480V Uc, with Class I protection applied P-N, 110kA 10/350µs line side protection, 40kA 8/20µs load side protection per phase. 110kA 10/350µs N-E, Status Indication, LED, Alarm Contacts	3	220 – 277V	1200W x 850Hx200D	195
SF31750A-NE-SS480	Surge Filter, 3Ph, 1750A, 480V Uc, with Class I protection applied P-N, 110kA 10/350µs line side protection, 40kA 8/20µs load side protection per phase. 110kA 10/350µs N-E, Status Indication, LED, Alarm Contacts	3	220 – 277V	1200W x 850Hx200D	200

Add “C” to the part number for Counter.

Add “BP” to part number for Backplane version. BP version have the same footprint as shown for the enclosure version

Installation

All installation work **must** be carried out by licensed electrical personnel.

The power **must** be disconnected. Ensure no dangerous neutral to earth voltages exist prior to commencing installation work.

1. The Surge Filter should be installed as close as practical to the Power Distribution Panel. Filters rated at 315A and above are fitted with two mounting rails (refer to Figure 1) to assist with mounting the unit to the wall.
2. The input and output power cables that connect to the Surge Filter must have a current rating at least equal to that of the unit being installed.
3. All cables are routed through the bottom of the cabinet. Suitable cable glands should be fitted to the gland plates. All connection points are clearly labelled on the backplane.
4. Connect the input and output power lines as illustrated in Figure 2 and Figure 3. Input cables are considered "dirty" and must be physically separate by at least 300mm from the "clean" output cables. This will prevent any over voltage carried by the incoming cables from being induced onto the outgoing or "clean" cables.
5. The earthing impedance of the electrical system should be less than 10Ω, with 5Ω recommended.
6. Connect the Earth terminal on the SF unit to the nearest electrical main earth using the shortest possible route. Earthing cable should be a minimum 16 mm² with 25mm² recommended.
7. All connections must be rechecked to confirm that they are securely connected.
8. Connect power to the surge filter and confirm that power is being delivered to the load and that all status indicators are green. The surge filter is in series with the load and turning off the filter's internal circuit protection will disconnect power to the load.



Figure 1 - Installation mounting rails

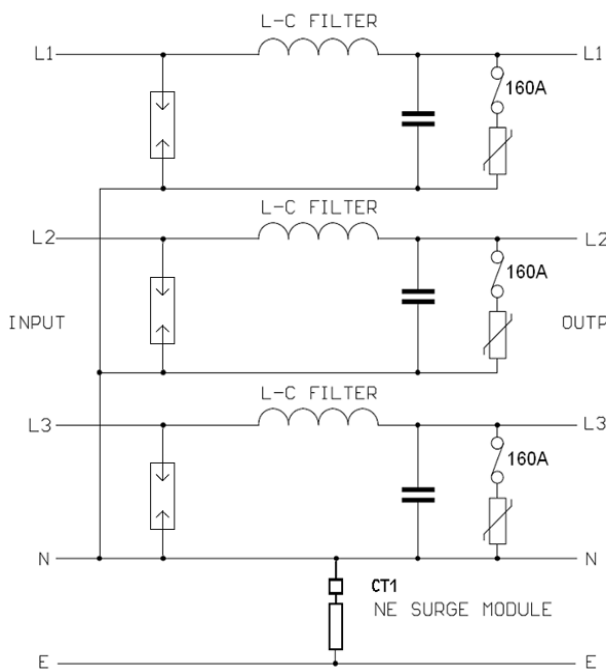


Figure 2 – Schematic of 3Ø Surge Filter (400A and below, no 160A fuse on 125A Filters)

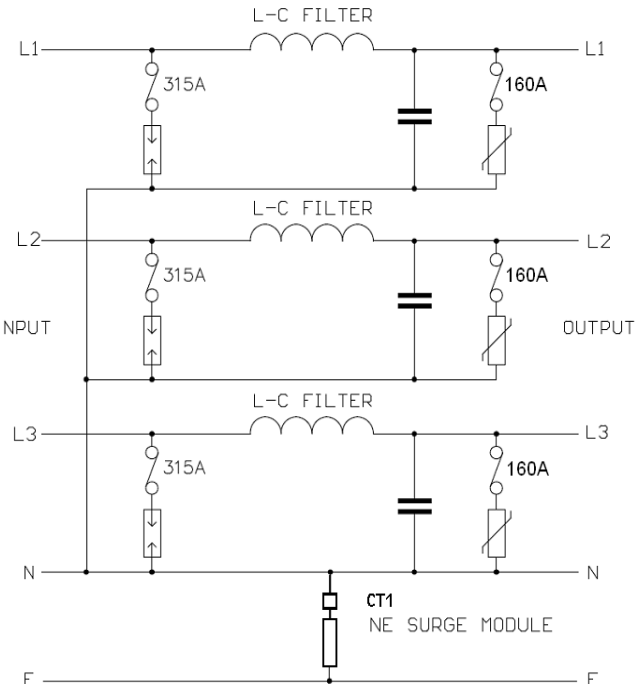


Figure 3 – Schematic of 3Ø Surge Filter (above 400A)

Maintenance

1. The status indicators on all SS protection modules should always be green.
2. Replace any surge diverter when the corresponding indicator has changed to red or the remote status monitoring is indicating failure of the diverter.
3. Do not perform maintenance work until power to the surge filter has been disconnected.
4. All surge protection devices will degrade and must be replaced at the end of their life cycle. The frequency of replacement is subject to the magnitude and number of incident surges applied to the device – therefore status indication is very important.

Remote Status Indication

A set of voltage-free contacts integral to each of the SS protection modules (primary and secondary) provides the facility to monitor the protection status of the SF Filter remotely. With the protection module fully operational, the status indicator will be green and terminals 1 & 2 on the remote monitoring terminals will be connected. When the SS protection module MOV material degrades to a point where replacement is necessary, the status indicator will change to red and the voltage free contacts will change state so that terminals 2 & 3 are connected (see Figure 4)



Figure 4. Remote Status Monitoring voltage-free contacts on protection module

Alarm Relays

Additionally an alarm relay is connected within these model filters. When power is applied, and all modules are operating correctly, the terminals of the relay Com and NO will be connected, and the LED indicator is lit. In case of power failure, or if any of the protection modules fail, the alarm relay will change state, and the terminals of the relay Com and NC will be connected, and the LED indicator will be extinguished.

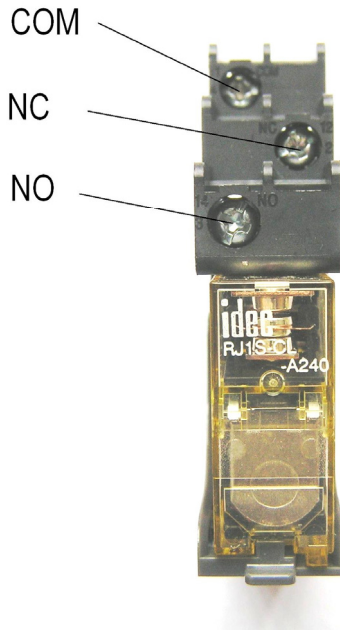


Figure 5. Alarm Relay (type 1)

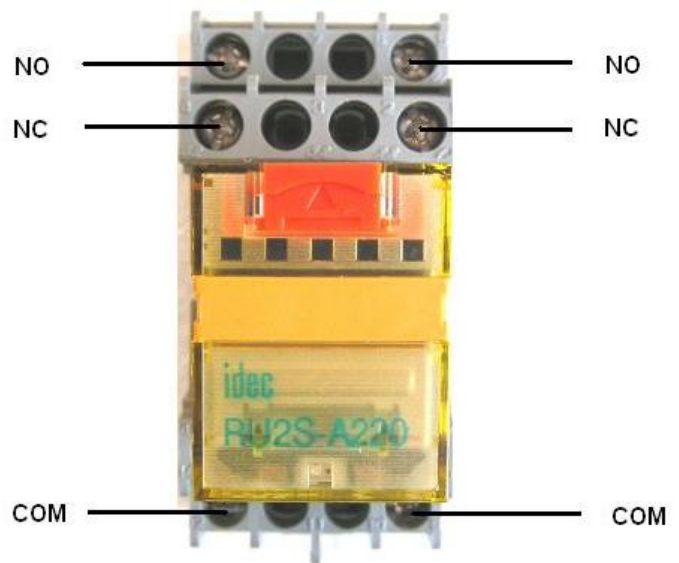


Figure 6. Alarm Relay (type 2)

Notes and Remarks



LPI LIGHTNING PROTECTION INTERNATIONAL PTY LTD
ABN 11 099 190 897

PO Box 379 Kingston, Tasmania, Australia 7051

49 Patriarch Drive, Huntingfield, Tasmania, Australia 7055

■ Phone: +61 3 6227 1955

■ Fax: +61 3 6229 1900

■ Email: info@lpi.com.au

■ Web: www.lpi.com.au